

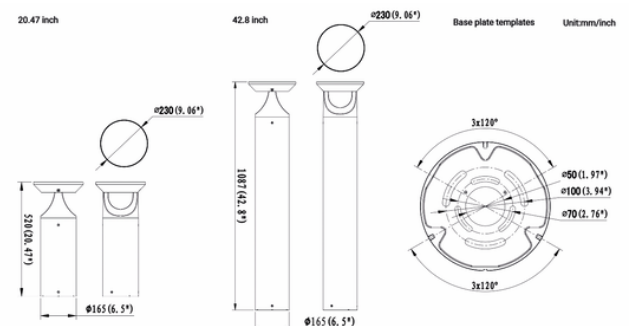
# ASPEN Series



## FEATURES

Efficiency	120lm/ W
Lifetime	>100 000 h
Operating Temperature	-30°C to +50°C
Installation	Ground Mount
SPD	2kV line-line, 4kV line-earth 1kV line-line, 2kV line-earth
Voltage Range	100 ~ 277 VAC
Power Factor	>0.9

## DIMENSIONS



## CONFIGURATION

MODEL	POWER	OPTICS	CCT	CRI	DRIVER	ACCESSORIES	SPD	CLASS	RAL COLOR	TREATMENT
Aspen Serie 1	14W	203	30K 3000K	7 70	27RE 100 - 277 VAC	EB Emergency Battery	PIR	1 Class I	B Black	A2 250 h AISI 304
	24W		40K 4000K	8 80					** On Request	** On Request
			50K 5000K							